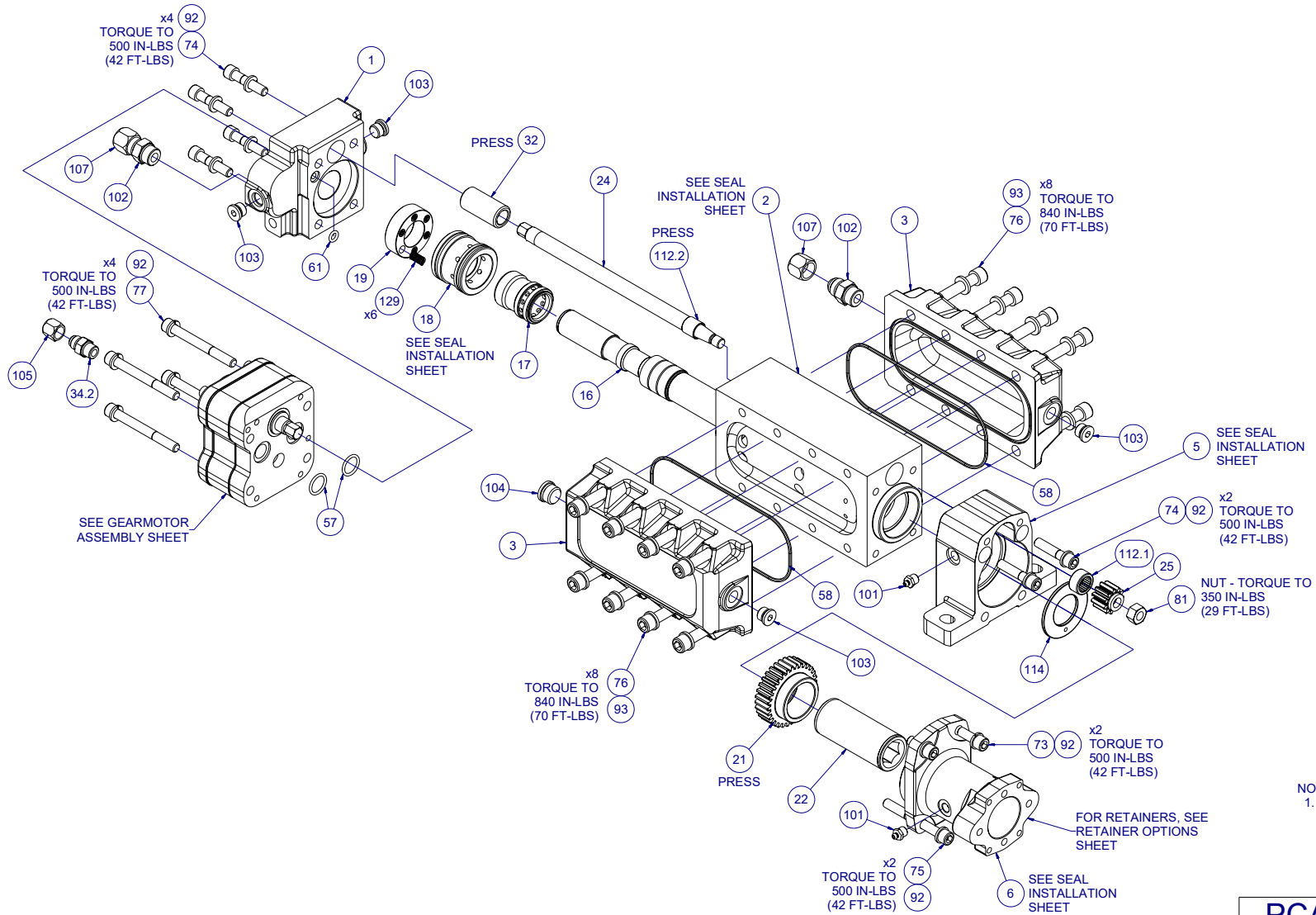


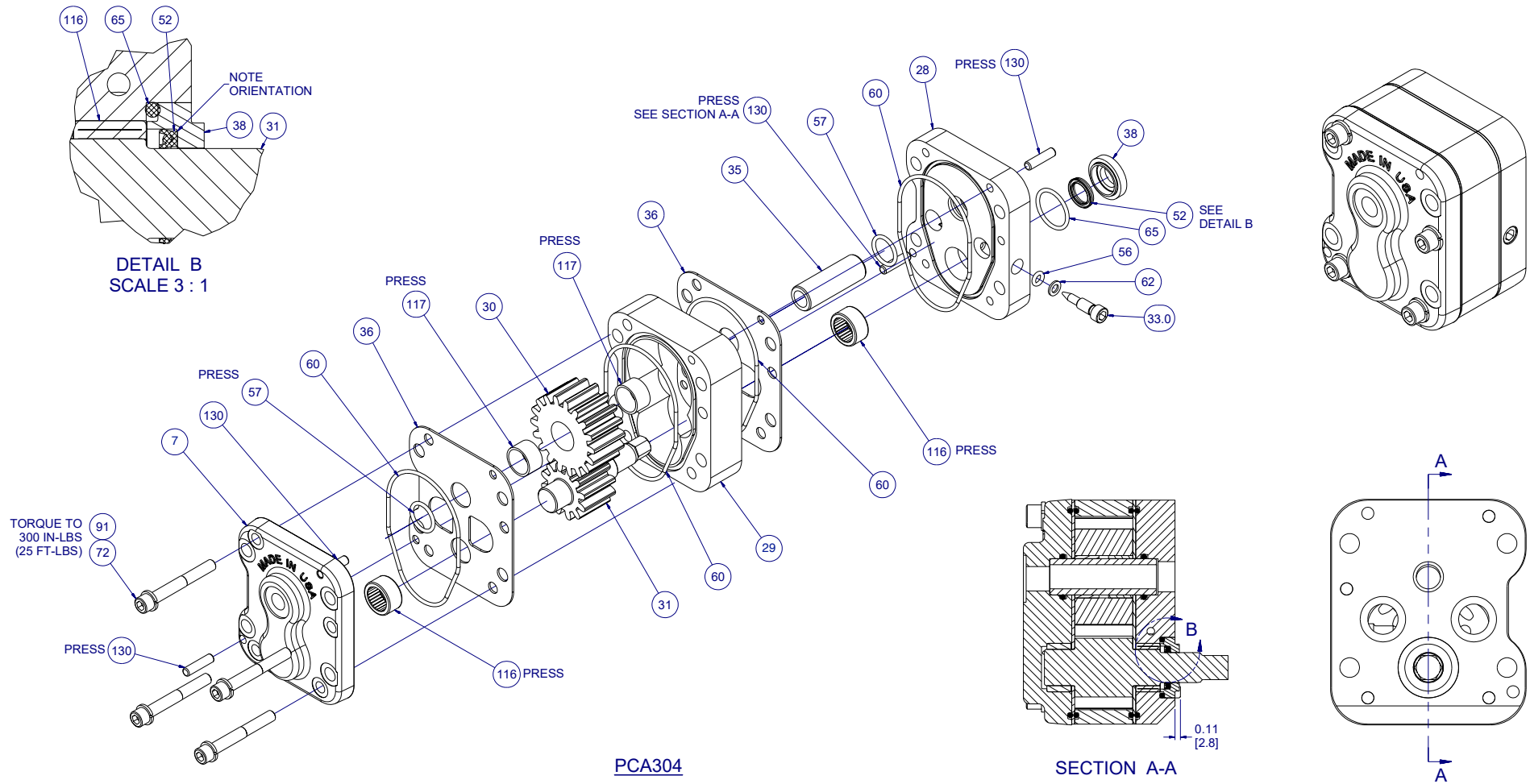
PCA Mechanical Engineering
 A Limited Liability Company
 271 Laymantown Rd Troutville, VA 24175-6715
 Ph (540) 761-4670 Fax (515) 346-5228 www.pcamechanical.com

PCA304 MOUNTING DIMENSIONS	SHEET 1	6
PCA300 SERIES DRIFTERS	© 6/13/17	REV. 0
DWG #: 000-201-304		



NOTES:
 1. PARTS NOTED "PRESS" ARE PRESS FITTED INTO THEIR RESPECTIVE LOCATIONS.

PCA Mechanical Engineering A Limited Liability Company	
271 Laymantown Rd Troutville, VA 24175-6715 Ph (540) 761-8670 Fax (515) 346-5228 www.pcamechanical.com	
PCA304 EXPLODED VIEW	SHEET 2 / 6
PCA300 SERIES DRIFTERS ©	6/13/17 REV. 0
DWG #: 000-201-304	

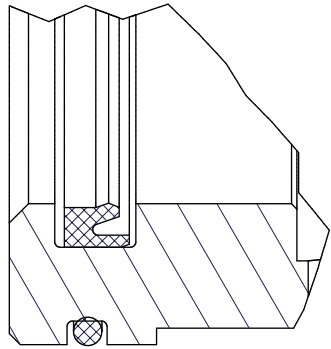


PCA304

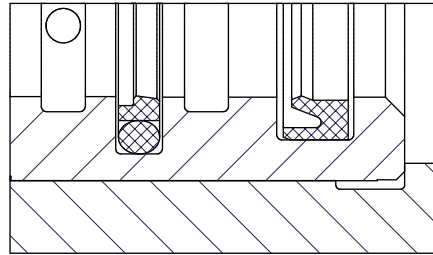
SECTION A-A

NOTES:
 1. PARTS NOTED "PRESS" ARE PRESS FITTED INTO THEIR RESPECTIVE LOCATIONS.

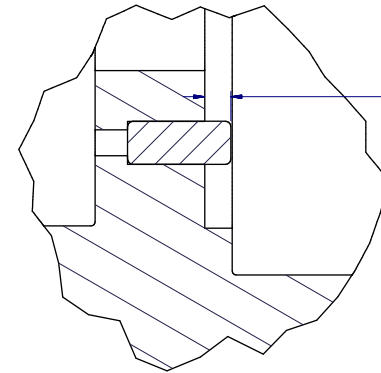
PCA Mechanical Engineering A Limited Liability Company <small>271 Laymantown Rd Troutville, VA 24175-6715 Ph: (540) 761-4670 Fax: (515) 346-5228 www.pcamechdrifts.com</small>		
GEARMOTOR ASSEMBLY	SHEET	3 / 6
PCA300 SERIES DRIFTERS	©	6/13/17 REV. 0
DWG #: 000-201-304		



DETAIL A
SCALE 3 : 1
INSTALL SEAL
AS SHOWN

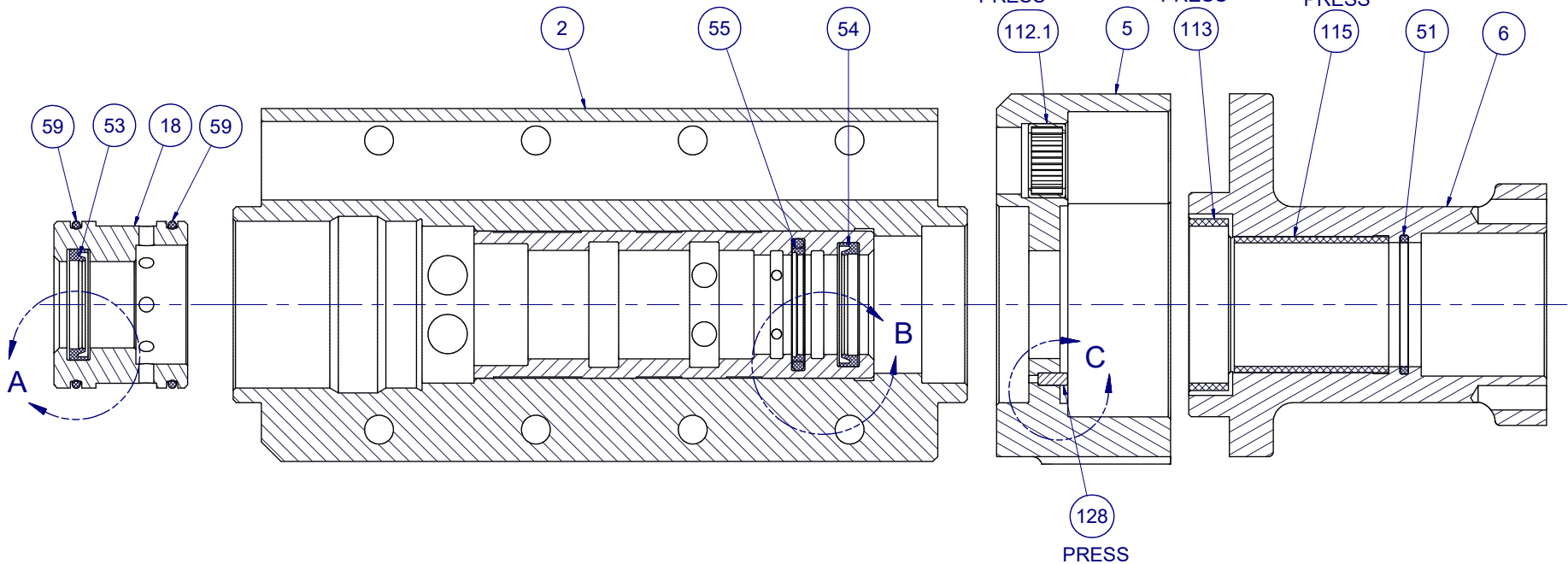


DETAIL B
SCALE 3 : 1
INSTALL SEAL
AS SHOWN



0.095 $+0.000$
 -0.015
PIN PROTRUSION
FROM SPOTFACE

DETAIL C
SCALE 3 : 1

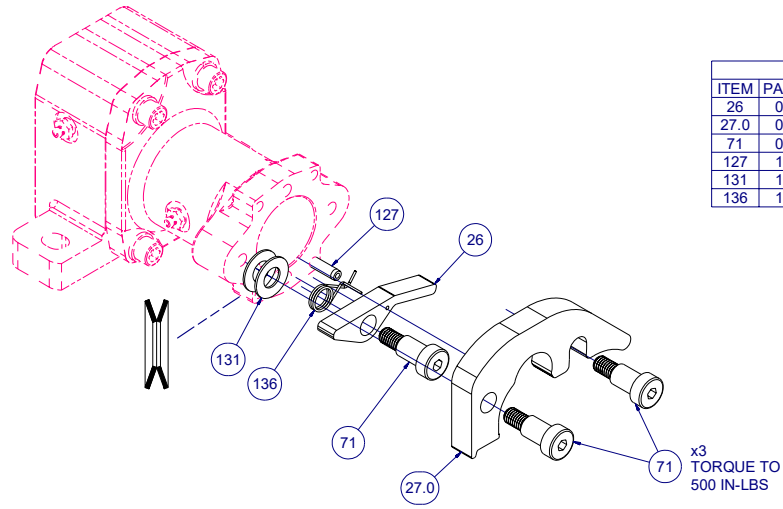


PCA Mechanical Engineering
A Limited Liability Company

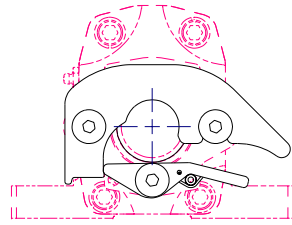
271 Laymantown Rd. Troutville, VA 24175-6715
Ph (540) 761-4870 Fax (815) 346-5228 www.pcarockdrills.com

SEAL INSTALLATION		SHEET 4 / 6	
PCA300 SERIES DRIFTERS	©	6/13/17	REV. 0
DWG #: 000-201-304			

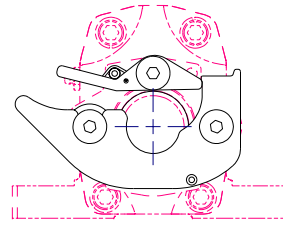
PATENTED QUICK-RELEASE RETAINER



QUICK-RELEASE RETAINER			
ITEM	PART NUMBER	TITLE	QTY
26	026-001-300	Latch Stop	1
27.0	027-001-300	Retainer	1
71	071-201-300	Quick Retainer Shoulder Screw	3
127	127-301-300	Latch Stop Pin	1
131	131-001-300	Retainer Spring Washer	2
136	136-001-300	Latch Spring (RH)	1



POSITION 1
(CCW)



POSITION 2
(CCW)

PATENTED QUICK-RELEASE RETAINER MOUNTING OPTIONS

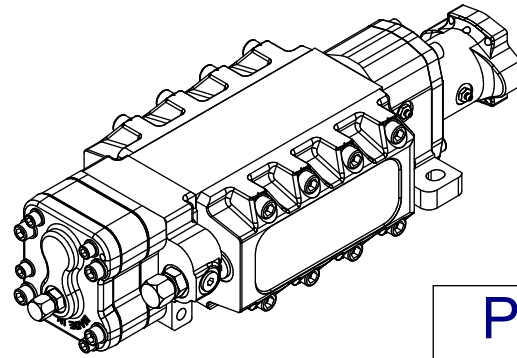
****NOTE**** The Quick-Release Retainer will only work with shank adapters with a Collar Diameter less than 1.60"

PCA Mechanical Engineering A Limited Liability Company			
271 Laymantown Rd Troutville, VA 24175-6715 Ph (540) 761-8670 Fax (515) 346-5228 www.pcamechanics.com			
RETAINER OPTIONS		SHEET	5 / 6
PCA300 SERIES DRIFTERS	©	6/13/17	REV. 0
DWG #: 000-201-304			

Parts List				Parts List			
ITEM	PART NUMBER	TITLE	QTY	ITEM	PART NUMBER	TITLE	QTY
1	001-101-300	Backhead	1	59	059-001-300	Valve Seat O-Ring	2
2	002-103-304	Body	1	60	060-001-300	Motor Face O-Ring	4
3	003-001-300	High Pressure Volume	2	61	061-101-300	Exhaust Connection O-Ring	1
5	005-201-300	Gear Cover (with Needle Bearing)	1	62	062-001-300	Motor Valve Backup Ring	1
6	006-001-300	Fronthead	1	65	065-001-300	O-Ring for Motor Shaft Seal Housing	1
7	007-001-300	Motor Back	1	72	072-101-300	Motor Capscrew	4
16	016-001-304	Piston	1	73	073-001-300	Fronthead Capscrew - Short	2
17	017-201-304	Valve	1	74	074-001-300	Gear Cover Capscrew	6
18	018-101-300	Valve Stop	1	75	075-001-300	Fronthead Capscrew - Long	2
19	019-001-300	Spring Case	1	76	076-001-300	Volume Capscrew	16
21	021-001-300	Chuck Gear	1	77	077-101-300	Motor Attachment Capscrew	4
22	022-XXX-300	Chuck Bushing (See Options)	1	81	081-001-300	Drive Shaft Nut	1
24	024-201-300	Drive Shaft	1	91	091-001-300	5/16" Lock Washer	4
25	025-301-300	Drive Gear	1	92	092-001-300	3/8" Lock Washer	14
28	028-101-304	Gearmotor Front	1	93	093-001-300	7/16" Lock Washer	16
29	029-101-300	Gearmotor Housing	1	101	101-001-300	Grease Fitting	2
30	030-101-300	Motor Idler	1	102	102-001-300	Hydraulic Fitting	2
31	031-101-300	Motor Pinion	1	103	103-001-300	-6 Hydraulic Plug	4
32	032-001-300	Coupling	1	104	104-001-300	-8 Hydraulic Plug	1
33	033-001-300	Motor Valve	1	105	105-001-300	-6 JIC Cap	1
34.2	034-201-300	Blower Tube Fitting	1	107	107-001-300	-8 JIC Cap	2
35	035-101-300	Idler Shaft	1	112.1	112-201-300	Driveshaft Bearing	1
36	036-001-300	Motor Wearplate	2	112.2	112-202-300	Driveshaft Bearing Race	1
38	038-001-304	Motor Shaft Seal Housing	1	113	113-001-300	Chuck Gear Bushing	1
51	051-001-300	Chuck Seal	1	114	114-001-300	Thrust Washer	1
52	052-201-300	Motor Shaft Seal	1	115	115-001-300	Chuck Bushing	1
53	053-101-300	Rear Piston Seal	1	116	116-001-300	Motor Bearing	2
54	054-101-300	Seal	1	117	117-001-300	Idler Shaft Bushing	2
55	055-001-300	Piston Buffer Seal	1	128	128-001-300	Thrust Washer Pin	1
56	056-001-300	Motor Valve O-Ring	1	129	129-101-300	Valve Seat Spring	6
57	057-001-300	O-Ring	4	130	130-101-300	Motor Dowel Pin	4
58	058-101-300	Volume Quad-Ring	2				

CHUCK OPTIONS			
ITEM	PART NUMBER	TITLE	QTY
1	022-001-300	7/8" Chuck Bushing	1
2	022-101-300	1" Chuck Bushing	1

QUICK-RELEASE RETAINER (SEE SHEET 5)			
ITEM	PART NUMBER	TITLE	QTY
26	026-001-300	Latch Stop	1
27.0	027-001-300	Retainer	1
71	071-201-300	Quick Retainer Shoulder Screw	3
127	127-301-300	Latch Stop Pin	1
131	131-001-300	Retainer Spring Washer	2
136	136-001-300	Latch Spring (RH)	1



PCA Mechanical Engineering	
A Limited Liability Company	
271 Laymantown Rd. Troutville, VA 24175-6715	
Ph (540) 761-4870 Fax (815) 346-5228 www.pcacockdrills.com	
PCA304 PARTS LIST	SHEET 6 / 6
PCA300 SERIES DRIFTERS	© 6/13/17 REV. 0
DWG #: 000-201-304	