



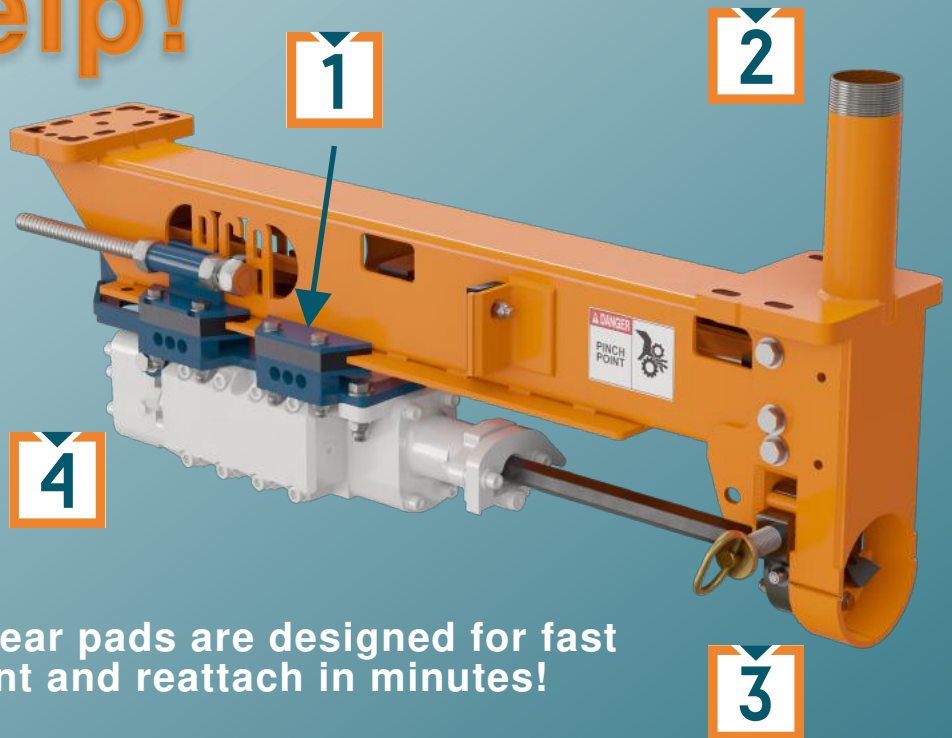
# PCA ROCK DRILLS

BE A DOWELING DOMINATOR™

## Need to drill more holes per hour?

## We can help!

Introducing the DM-200 Series Doweling Module



### Top 4 key features:

1

Easy-maintenance wear pads are designed for fast change-out. Dismount and reattach in minutes!

2

The integrated 2" dust collector port is conveniently located on top for easy access.

3

More time drilling, less time spent on maintenance! Our Quick-Release Centralizer allows for bit change-outs in seconds, not minutes.

4

The PCA304 is the highest performing doweling drill in production. Just ask our customers!

### What they say about our drills

"We used to call our old drills our moneymakers, because we had to work so much overtime to get the job done. These PCA drills make money for the company." - PCA Drill Operator

"Once you use PCA drills, you never go back!"  
- PCA Customer

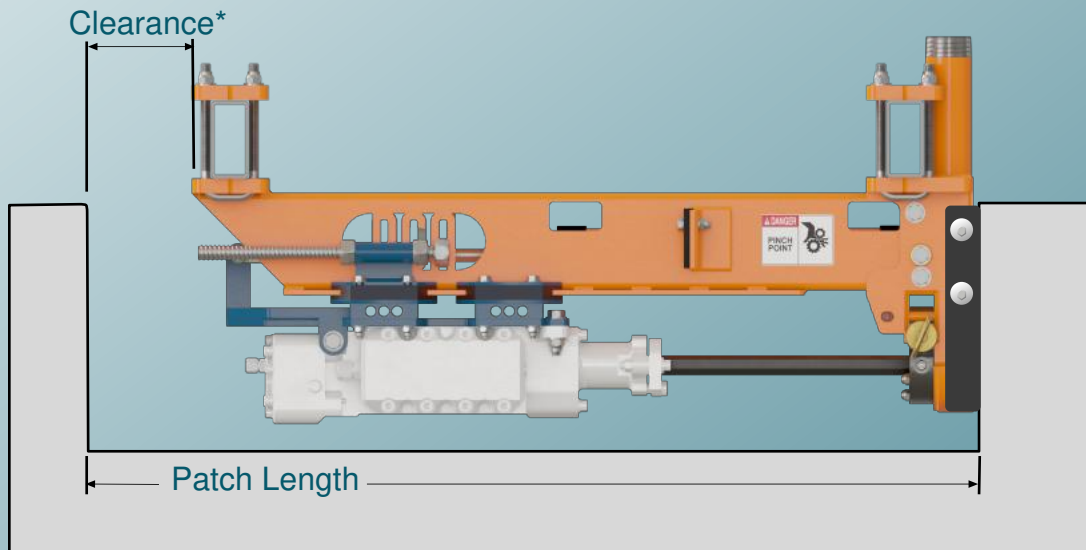
"We quoted a job that we thought would take two weeks. With our new PCA drills, it took three days."  
- PCA Customer



# PCA ROCK DRILLS

BE A DOWELING DOMINATOR™

## PCA DM-200 Specifications



\* 7" Clearance for a 12" hole depth with 48" patch length

Designed with minimal overall length to make getting in and out of patches easier

The DM-200 Series bolts directly to standard rectangular tubing

The DM-200 Series is available with different feed tube lengths for a range of hole depths

Bottom line, we designed our DM-200 Series to help you do more drilling and less cussing.

Proudly made in USA

Got any questions or comments? Contact us on our website or call 888-70-DRILL  
[www.pcarockdrills.com](http://www.pcarockdrills.com)

Family owned & operated